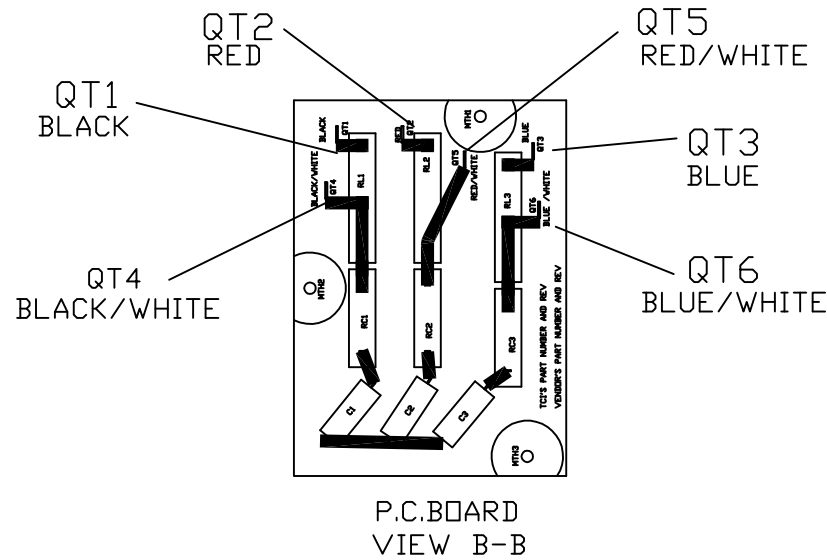
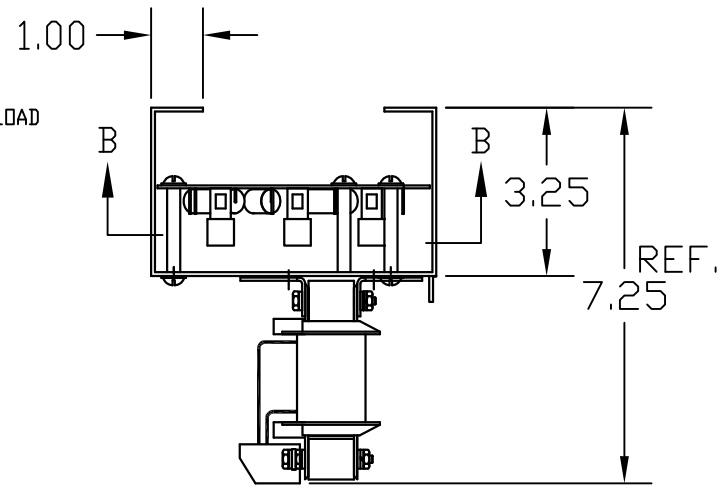
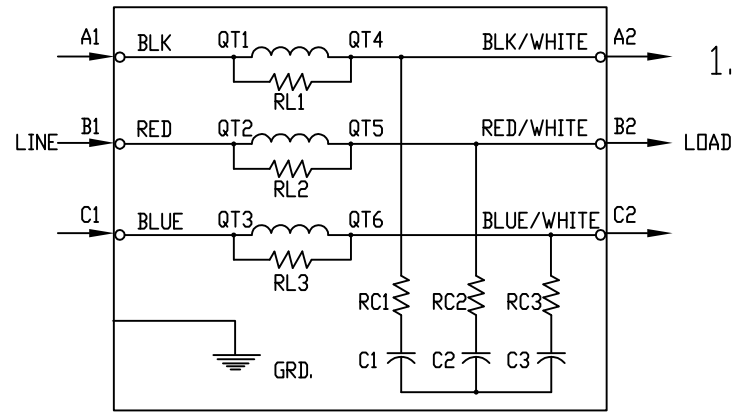
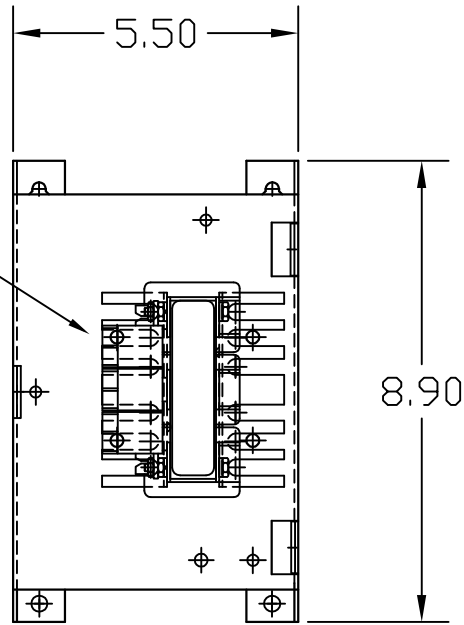
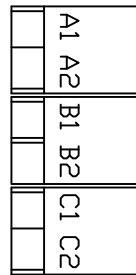
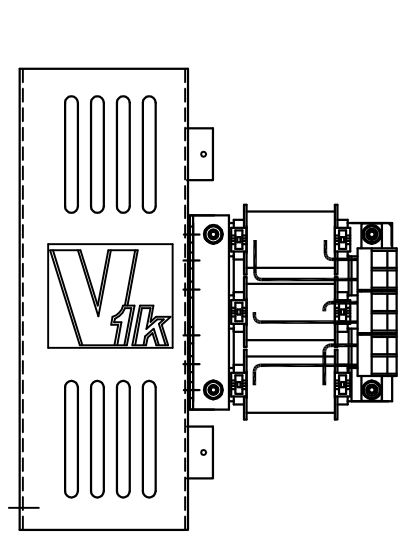


"SEE V1K INSTALLATION GUIDE FOR TERMINAL WIRE SIZE AND TORQUE"

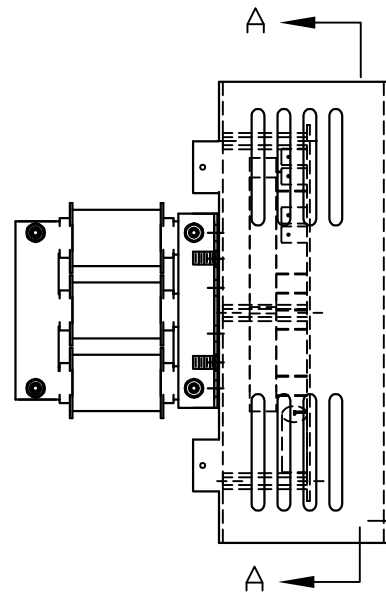


SPECIFICATIONS:	
AMP.	4
VOLT	240-600
PHASE	3
HZ	60
WEIGHT, LBS.	8
OPEN VERSION	

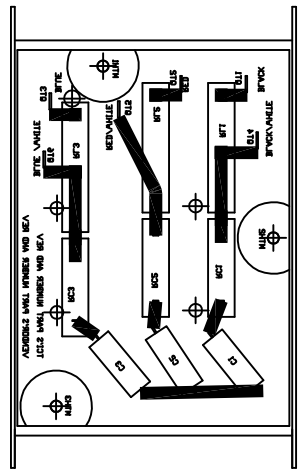
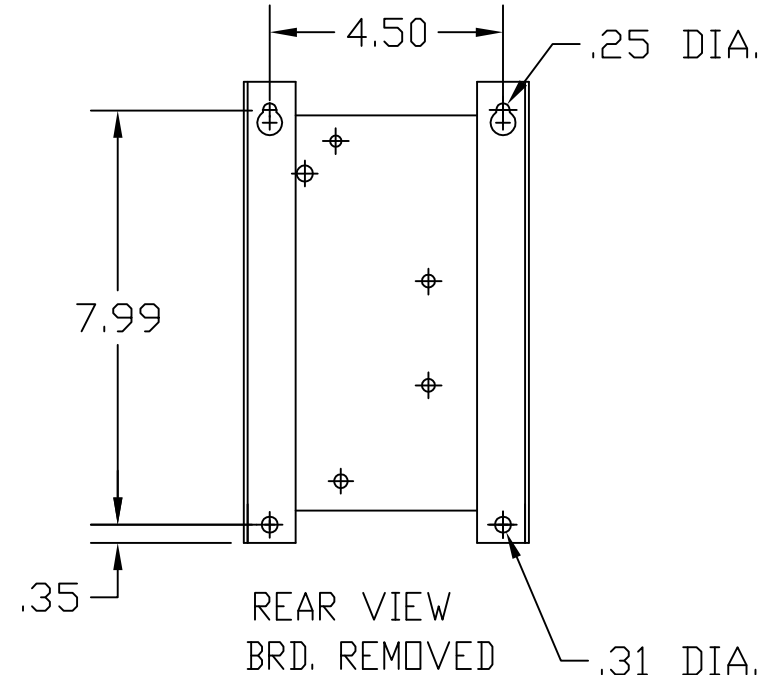
MARKINGS ON TERMINAL BLOCK
A1,A2,B1,B2,C1,C2 FOR REFERENCE ONLY.



FRONT VIEW



REAR VIEW
BRD. REMOVED



SECTION A-A

TOLERANCE UNLESS OTHERWISE NOTED:	
MOUNTING	+/- .06
OVERALL	+/- .12

CUSTOMER IS RESPONSIBLE FOR INSTALLATION TO MEET ALL NATIONAL AND LOCAL ELECTRICAL CODES.

TCI, LLC CLAIMS PROPRIETARY RIGHTS IN THE MATERIAL HEREIN DISCLOSED. IT IS SUPPLIED WITHOUT PREDJUDICE TO ANY PATENT RIGHTS OF TCI AND MAY NOT BE REPRODUCED OR USED TO MANUFACTURE ANYTHING SHOWN THEREIN WITHOUT WRITTEN PERMISSION FROM TCI.					TOLERANCES (EXCEPT AS NOTED)
					DECIMAL
					.XX ± .03
					.XXX ± .01
					FRACTIONAL ± 1/32
				ANGULAR ± 1/2°	
ID	3216 ADD SEE GUIDE	12/5/14	DSW		
NO	REVISION	DATE	BY		

		W132 N10611 GRANT DRIVE GERMANTOWN, WI 53022	
		V1K4A00, OUTPUT FILTER 4 AMP, OPEN VERSION	
DRN. BY	RJC	DATE	4/12/05
SCALE	NONE	SIZE	B
		DWG. NO.	102312DG
		SHT. 1 OF 1	